

BALDWIN

COMMERCIAL

**ANSI/BHMA
GRADE 1
MORTISE SETS**



Lakeshore Entrance Set - 6974



THE WORLD'S MOST EXTENSIVE

CONTENTS

3-5	INTRODUCTION
6-7	ESCUTCHEON SETS
8-11	LEVERS
12	ESCUTCHEON TRIMS -or- ROSES
12	TURN KNOBS/PIECES & CYLINDER COLLARS
13	FINISHES
14	MORTISE FUNCTIONS

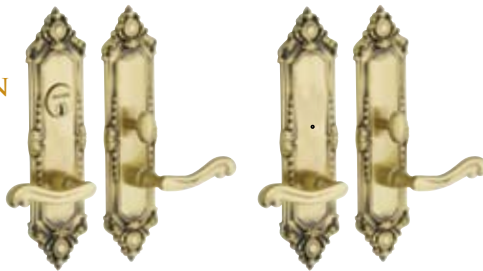
BALDWIN



SUITE OF LUXURY COMMERCIAL HARDWARE.

ESCUTCHEON SETS

Escutcheon,
Lever
& Turn knob



ENTRY

PRIVACY

SECTIONAL SETS

Rose, Lever,
Cylinder collar
& Turn piece



BALDWIN, THE “FOUNDER OF LUXURY HARDWARE IN AMERICA,” is widely recognized for a comprehensive breadth of line and legacy of superior craftsmanship — having been awarded “Best Quality” thirteen years running by *Builder* magazine’s *Brand Use Study*.

With more than sixty years as the leader of upscale residential hardware, Baldwin now offers a Grade 1 solution for ANY commercial application.

- > ANSI/BHMA OPERATIONAL & SECURITY GRADE 1-RATED MORTISE SET
- > THROUGH-BOLTED ESCUTCHEONS & ROSES
- > 32 LEVER STYLES
- > 11 ESCUTCHEON TRIMS
- > 15 ROSES
- > 6 TURN PIECE & CYLINDER COLLAR STYLES
- > 22 BALDWIN FINISHES



Baldwin has established an industry leading through-bolt platform for entrance and sectional set products.

BENEFITS:

- > First true high-end decorative trim provider for “heavy-duty” door openings
- > Fully pre-assembled and box set platform for quick installations
- > Innovative attachment method for superior lever attachment
- > ANSI/BHMA A156.13 Certified trim and mortise lock system
- > Mix & match levers, trim, turn knobs and finish options for a unique look
- > Full line of “heavy-duty” Grade 1 mortise functions

Mortise Box Specification:

Lock Case:	Heavy Gauge Steel
Backset:	2 ½” and 2 ¾”
Dead bolt:	Brass – with Hardened Steel Inserts 1” Throw
Latch bolt:	Brass/Stainless – Anti Friction Type ¾” Throw
Armor Front:	1 ¼” x 8” Wrought brass, bronze, stainless steel
Strikes:	Flat standard, curved and long lip strikes available
UL:	UL- 3 hour Fire Rate
Other:	3.625” lever hub to cylinder center spacing
NOTE:	Designed with 8mm on the square broached levers to meet ANSI/BHMA A156.13 test standards
Power Pack:	Internal power pack prevents lever sag and provides quality feel





ESCUTCHEON SET



- INCLUDES:**
- > Inside & Outside Assemblies,
2 Levers & 2 Through-bolted Escutcheons
 - > Turn Knob
 - > Mortise Box
 - > Cylinder (optional)

SECTIONAL SET



- INCLUDES:**
- > Inside & Outside Assemblies,
2 Levers & 2 Through-bolted Roses
 - > Turn Piece
 - > Mortise Box
 - > Cylinder Collar
 - > Cylinder (optional)

BALDWIN ESCUTCHEON SETS



Lakeshore



Detroit



Fenwick

INCLUDES:

- > Inside & Outside Assemblies,
2 Levers & 2 Through-bolted Escutcheons
- > Turn Knob
- > Mortise Box
- > Cylinder (optional)



Houston



Atlanta



Boulder



Westminster



Republic



Stanford



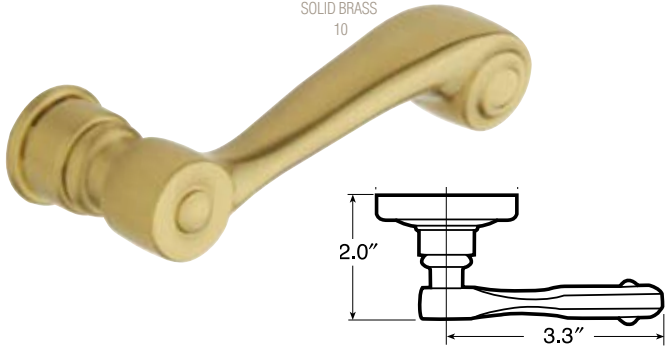
Bristol



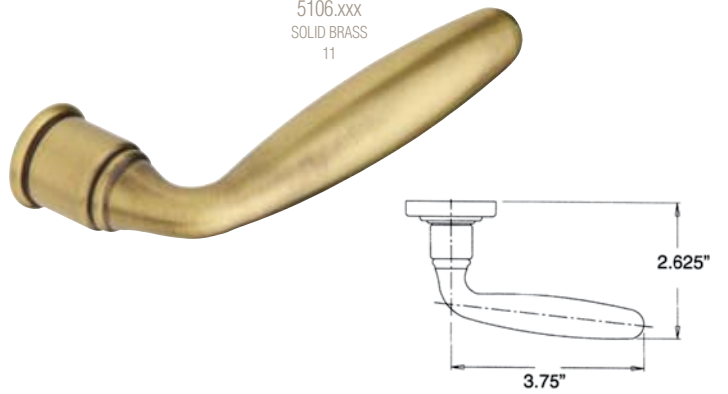
Wilmington

BALDWIN LEVERS

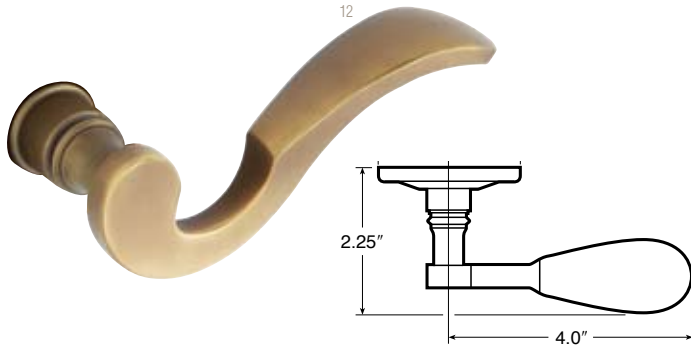
5103.xxx
SOLID BRASS
10



5106.xxx
SOLID BRASS
11



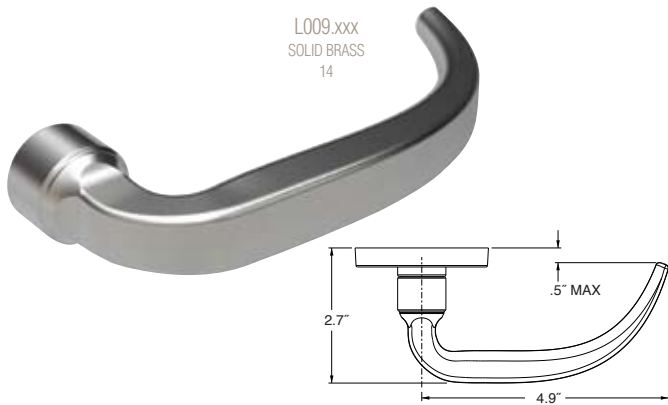
5152.xxx
SOLID BRASS
12



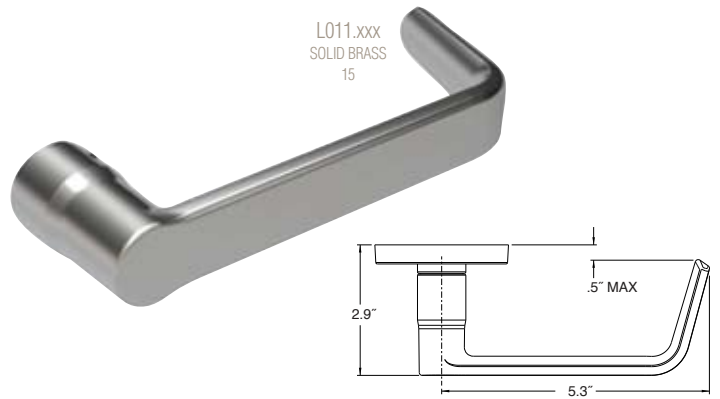
5190.xxx
SOLID BRASS
13



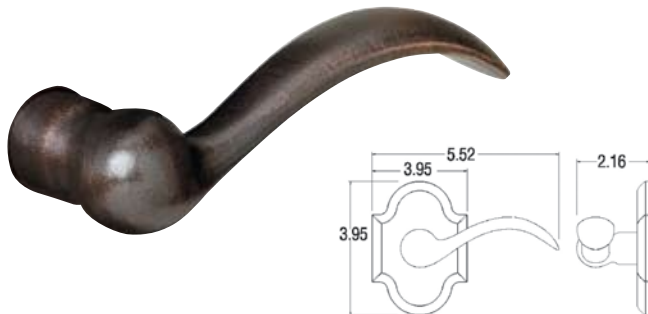
L009.xxx
SOLID BRASS
14



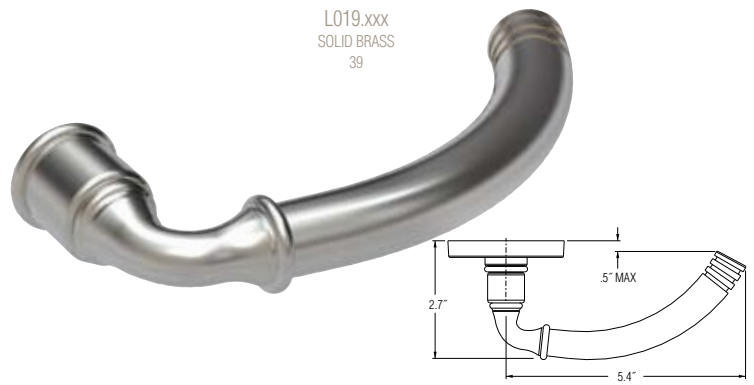
L011.xxx
SOLID BRASS
15



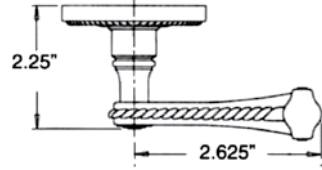
5452.xxx
SOLID BRASS
16



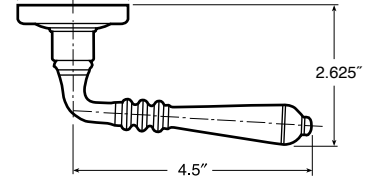
L019.xxx
SOLID BRASS
39



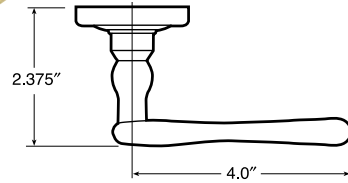
5104.xxx
SOLID BRASS
17



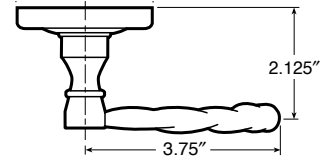
5107.xxx
SOLID BRASS
18



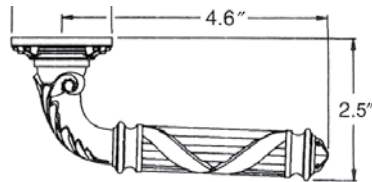
5108.xxx
SOLID BRASS
19



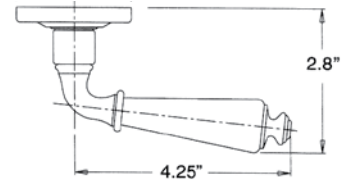
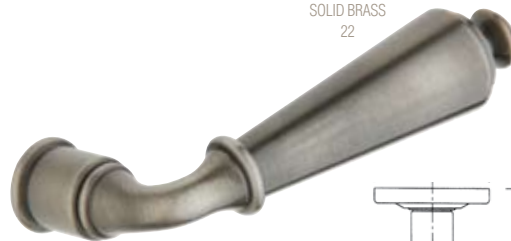
5121.xxx
SOLID BRASS
20



5122.xxx
SOLID BRASS
21

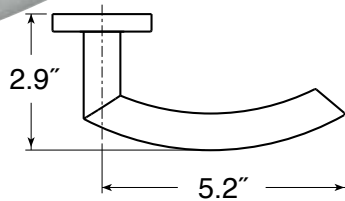


5125.xxx
SOLID BRASS
22



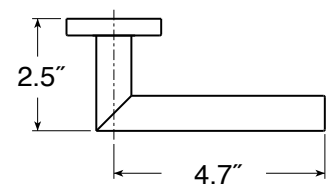
STAINLESS STEEL LEVER
FINISHES AVAILABLE: 320, 324

5172S.xxx
STAINLESS STEEL
40



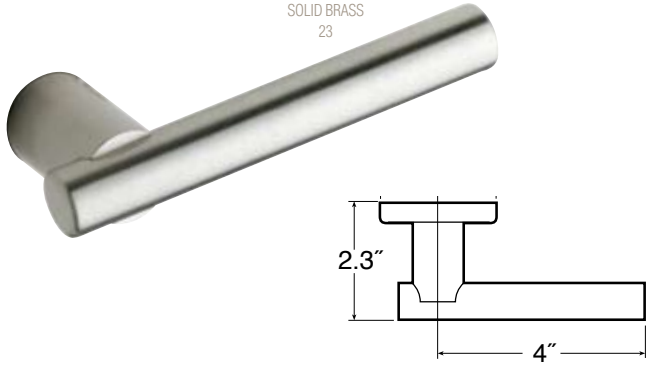
STAINLESS STEEL LEVER
FINISHES AVAILABLE: 320, 324

5173S.xxx
STAINLESS STEEL
41

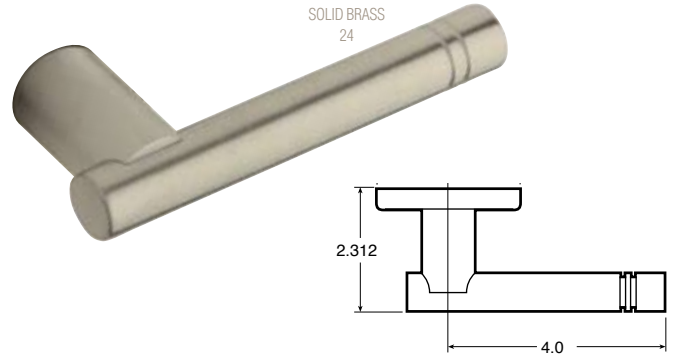


BALDWIN LEVERS

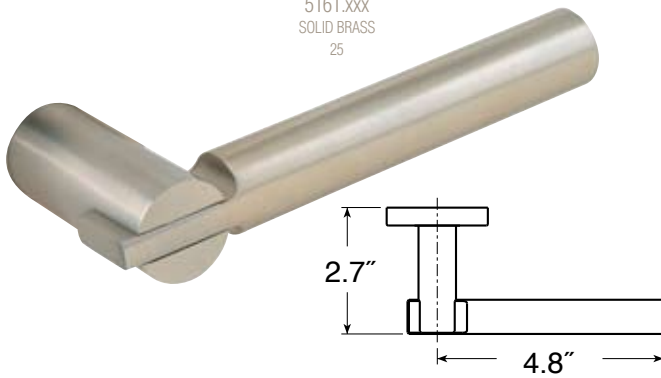
5137.xxx
SOLID BRASS
23



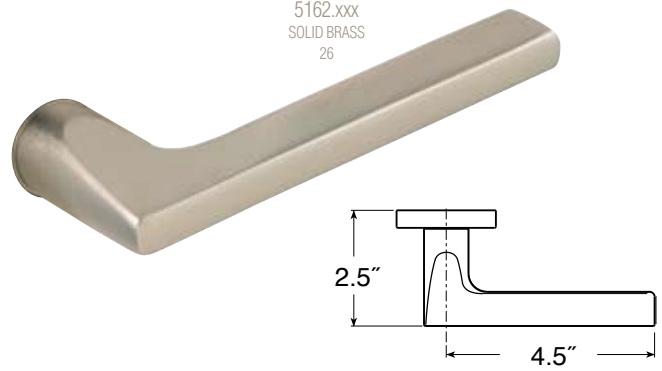
5138.xxx
SOLID BRASS
24



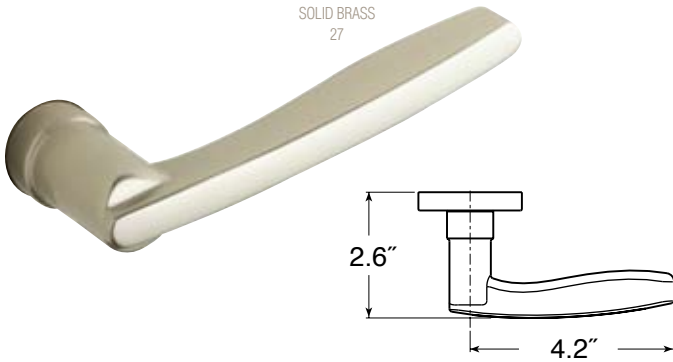
5161.xxx
SOLID BRASS
25



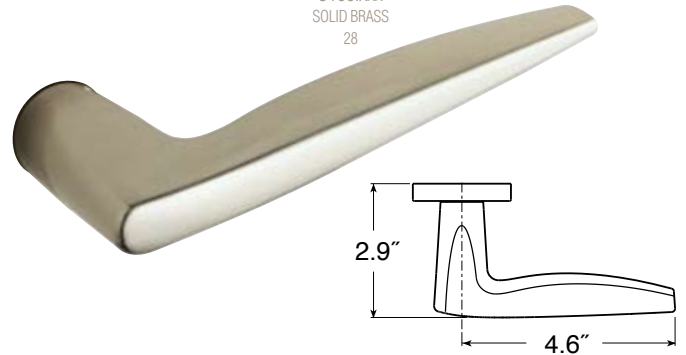
5162.xxx
SOLID BRASS
26



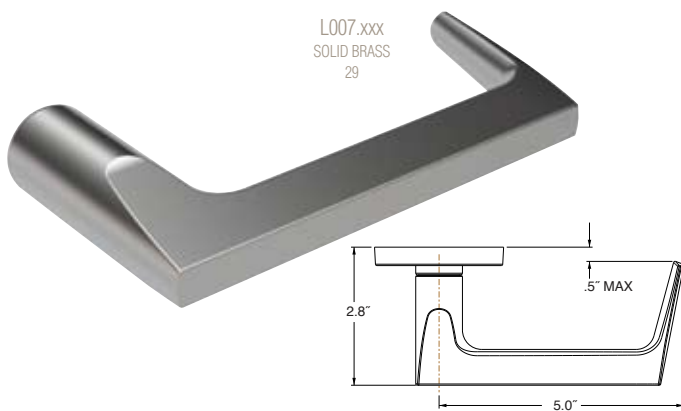
5164.xxx
SOLID BRASS
27



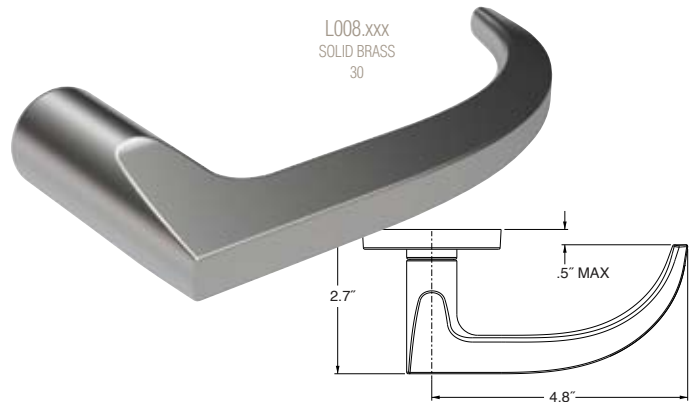
5166.xxx
SOLID BRASS
28



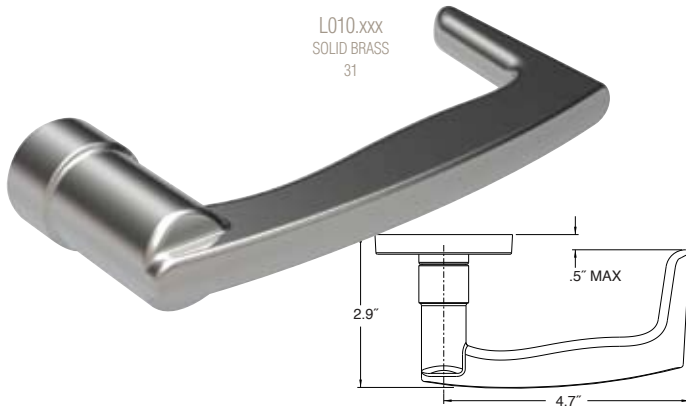
L007.xxx
SOLID BRASS
29



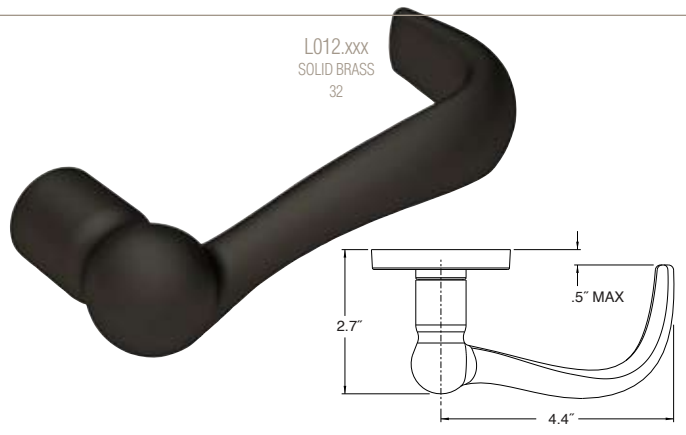
L008.xxx
SOLID BRASS
30



L010.xxx
SOLID BRASS
31



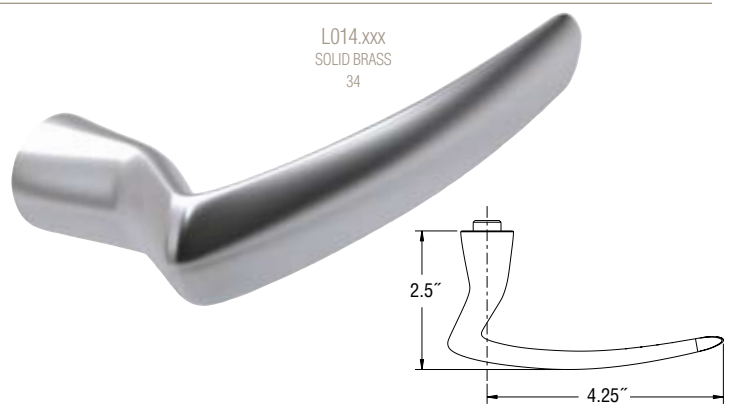
L012.xxx
SOLID BRASS
32



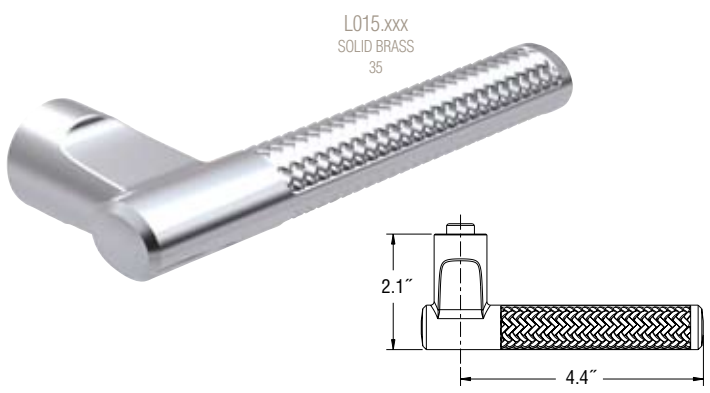
L013.xxx
SOLID BRASS
33



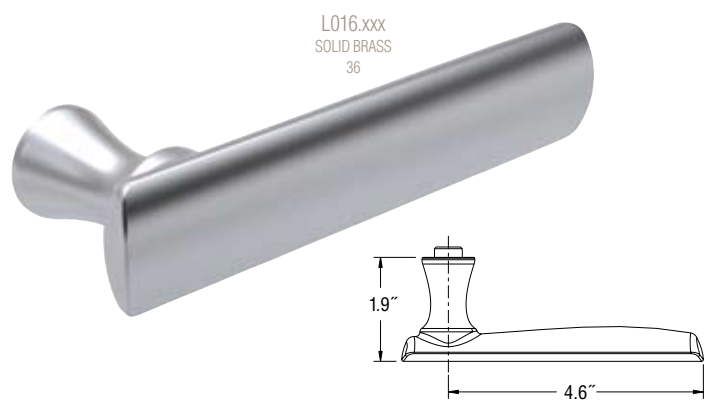
L014.xxx
SOLID BRASS
34



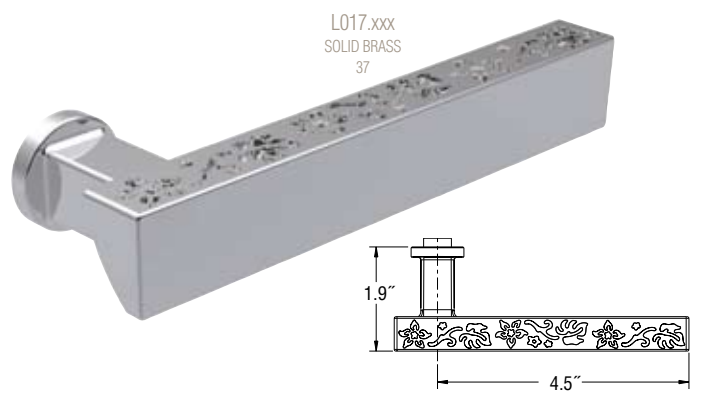
L015.xxx
SOLID BRASS
35



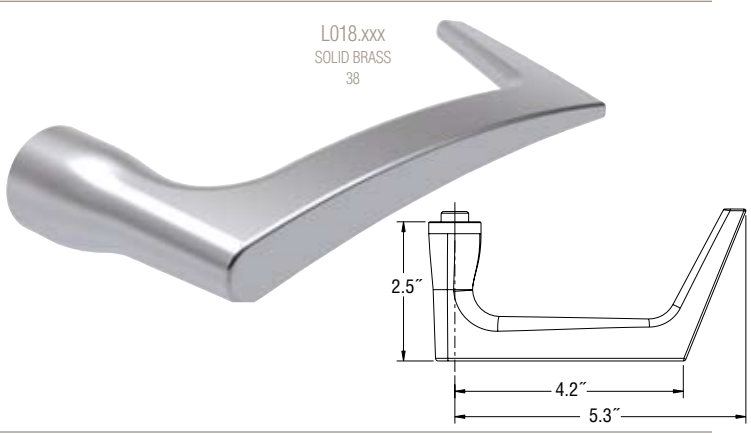
L016.xxx
SOLID BRASS
36



L017.xxx
SOLID BRASS
37



L018.xxx
SOLID BRASS
38



BALDWIN ESCUTCHEONS



Detroit - 6503
Trim thickness: .45"



Atlanta - 6512
Trim thickness: .375"



Wilmington - 6795
Trim thickness: .3125"



Stanford - 6791
Trim thickness: .6875"



Bristol - 6420
Trim thickness: .275"



Republic - 6796
Trim thickness: .75"



Westminster - 6790
Trim thickness: .3125"



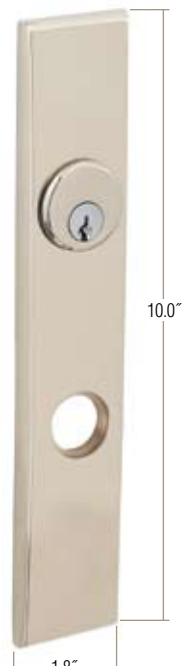
Fenwick - 6789
Trim thickness: .435"



Boulder - 5350
Trim thickness: .53"

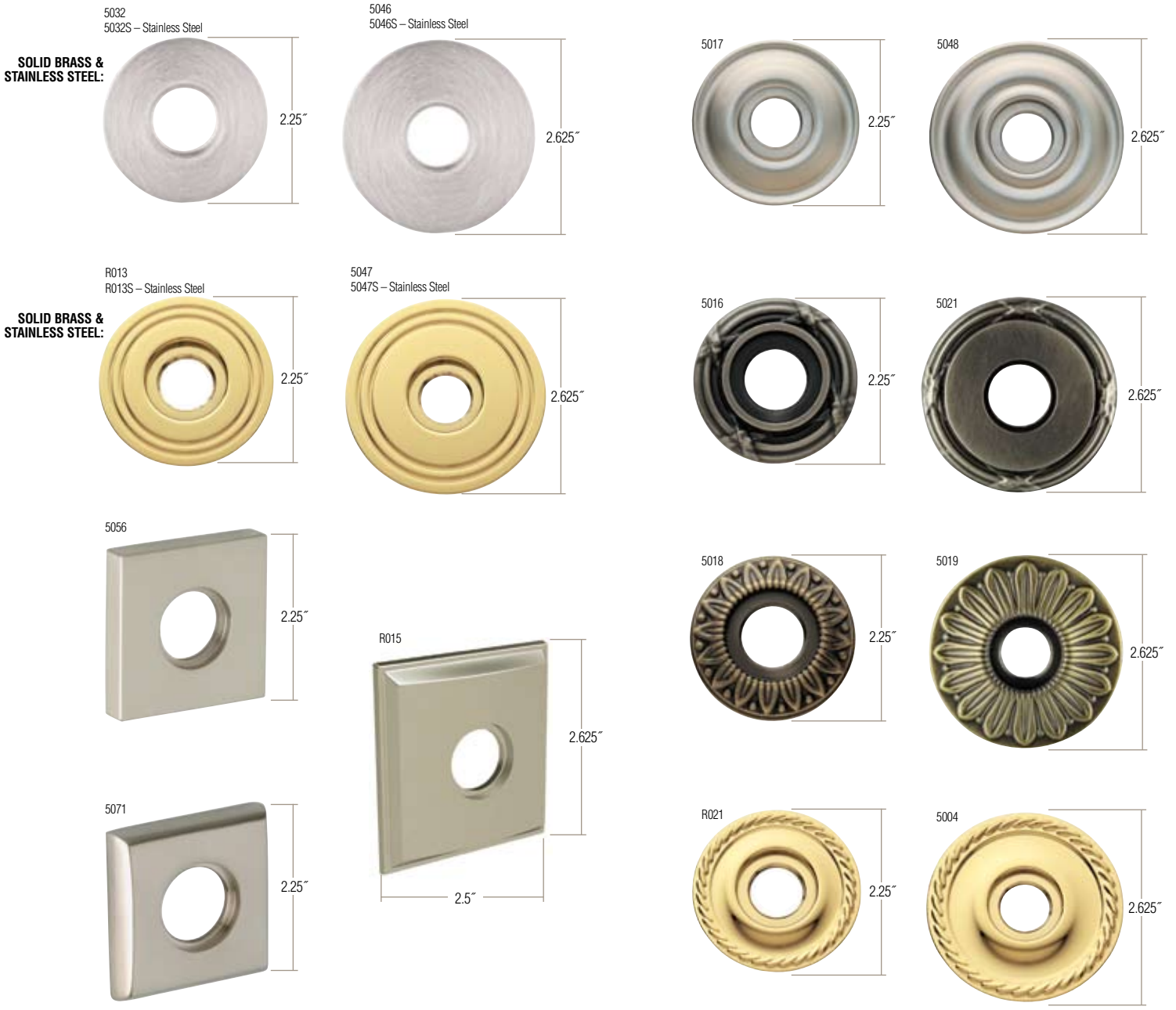


Houston - 6506
Trim thickness: .435"



Lakeshore - 6502
Trim thickness: .4"

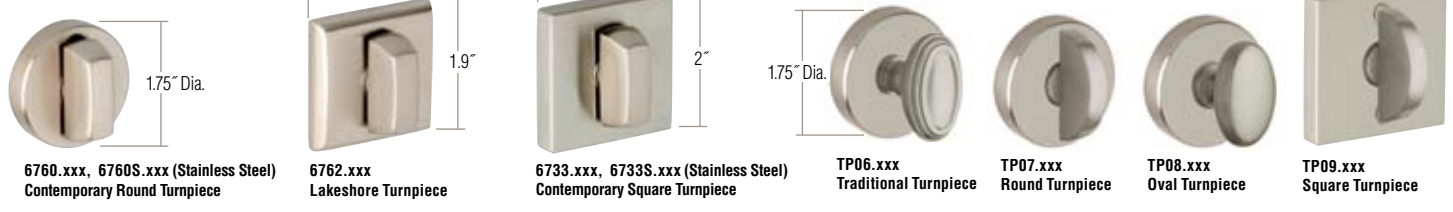
BALDWIN ROSES




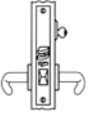
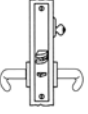
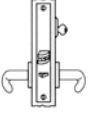
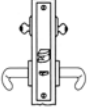
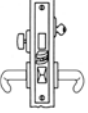
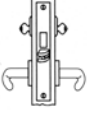
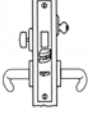



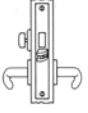
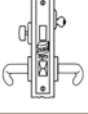
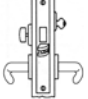
CYLINDER COLLARS



TURN PIECES



BALDWIN GRADE 1 MORTISE FUNCTIONS

Inside/Outside	Item#/Backsets	Function	ANSI #	Description
	HDF01 2.75" & 2.5"	PASSAGE or CLOSET	F01	– Latch bolt by lever either side at all times.
	HDF04 2.75" & 2.5"	CLASSROOM, ENTRANCE or OFFICE	F04	– Latch bolt by lever either side except when outside lever is fixed. – When outside lever is locked, latch bolt is retracted by key outside or by inside lever. – Auxiliary dead latch.
	HDF05 2.75" & 2.5"	CLASSROOM	F05	– Latch bolt by lever either side, unless outside grip is locked by key outside. – Auxiliary latch deadlocks Latch bolt. – Inside grip always free.
	HDF07 2.75" & 2.5"	STOREROOM or CLOSET	F07	– Latch bolt by lever inside or by key outside. – Outside lever always rigid. – Auxiliary dead latch.
	HDF09 2.75" & 2.5"	ENTRANCE or PUBLIC RESTROOM	F09	– Latch bolt by lever either side, except when outside lever locked by key from inside. – When outside lever is locked, latch bolt is retracted by key outside or by operating inside lever. – Auxiliary dead latch.
	HDF12 2.75" & 2.5"	ENTRANCE or APARTMENT	F12	– Latch bolt by lever either side, except when outside lever is fixed. – Dead bolt projected by key outside and turn inside. – Dead bolt retracted by key outside and turn inside. – Inside lever retracts both bolts and outside remains locked.
	HDF14 2.75" & 2.5"	STOREROOM	F14	– Latch bolt by lever from either side. – Dead bolt by key from either side.
	HDF15 2.75" & 2.5"	HOTEL or MOTEL	F15	– Latch bolt by key from outside or by inside lever. – Outside lever always fixed. – Dead bolt projected by turn from inside and all keys except emergency and display key are shut out. – Operating inside lever retracts both bolts. – Auxiliary dead latch. Indicator button when specified.
	HDF16 2.75" & 2.5"	KEY X KEY DEADLOCK	F16	– Dead bolt by key from either side.
	HDF17 2.75" & 2.5"	KEY X TURN DEADLOCK	F17	– Dead bolt by key from outside and turn from inside.
	HDF18 2.75" & 2.5"	SINGLE KEY DEADLOCK	F18	– Dead bolt by key from outside only.
	HDF19 2.75" & 2.5"	PRIVACY, BEDROOM or BATHROOM	F19	– Latch bolt by lever either side. – Dead bolt by turn inside and emergency release outside. – Operating inside lever retracts both bolts.
	HDF20 2.75" & 2.5"	ENTRANCE or APARTMENT	F20	– Latch bolt by lever either side, except when outside lever fixed. – Dead bolt by key outside or turn inside. – Key outside operates both bolts. – Operating inside lever retracts both bolts and outside remains locked. – Latch bolt is deadlocked when outside lever is fixed or when dead bolt is projected. When dead bolt is retracted, lever is unlocked.
	HDF21 2.75" & 2.5"	DORMITORY ENTRANCE or STOREROOM	F21	– Latch bolt by lever either side. – Dead bolt by key outside, turn inside

Suffix indicates Handing & Backset

	2.75"	2.5"
Right hand Lever Strength	.ARLS	.BRLS
Left hand Lever Strength	.ALLS	.BLLS
Right hand Reverse bevel Lever Strength	.ARRLS	.BRRLS
Left hand Reverse bevel Lever Strength	.ALRLS	.BLRLS

NOTE: Swivel spindles included with all Grade 1 Mortise Locks, except HDF11 Passage (Straight spindles included) Deadlocks do NOT require spindles

Example:

HDF09.003.ARLS

Function Finish Handing & Backset

Entrance Lock (F09) in Lifetime Polished Nickel

Baldwin ANSI/BHMA Mortise Locks designed to be used with Emhart cam.

Please see below table for Baldwin and other leading cylinder products:

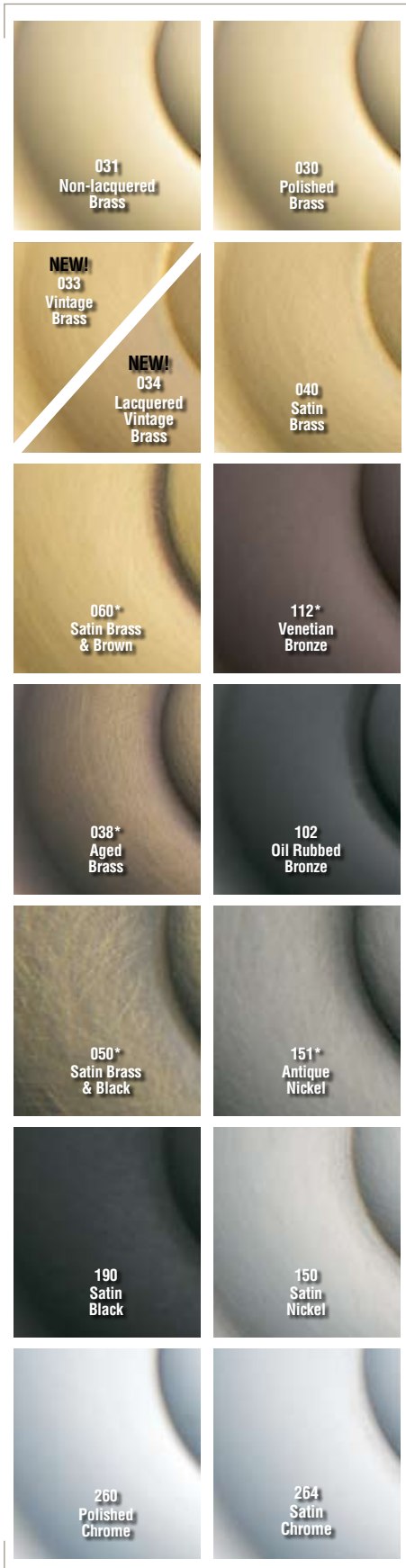
COMPANY	CLOVER LEAF COMPATIBLE PRODUCT
Baldwin:	8321.xxx.EMHT (5-pin cylinder) 8322.xxx.EMHT (6-pin cylinder) or purchase 8300.028.EMHT cam to retrofit existing cylinder inventory 002
Arrow:	
Interchangeable Core	
Best:	C161
Corbin:	A01
Kaba Ilco:	19
Medeco:	CT-Z00
Sargent:	13-0921
Schlage:	B520-233
Schlage I/C:	B520-253
Schlage Primus:	B520-309

NOTE: WHEN ORDERING CYLINDERS.

All HD-series heavy duty commercial mortise locks require a special Baldwin cylinder.

BALDWIN FINISHES

TIER 1



TIER 1

TIER 2



TIER 2

TIER 1 FINISHES: STAINLESS STEEL HARDWARE ONLY



DISTRESSED FINISHES:

Not all hardware is available Distressed.

The rugged tumbling process would damage some components.

In cases where distressing is not possible, the equivalent non-distressed finish will be provided.

412 = 112

402 = 102

452 = 152 Antique Nickel with Matte lacquer (151 has gloss lacquer)

Hardware NOT available distressed includes:

- > All mortise locks, cylinders, latches, strikes

*HAND-RELIEVED FINISH VARIANCES:

(038, 050, 060, 112, 151, 412, 452)

Product finishes which are HAND RELIEVED may vary in luster, hue and appearance as a result of handcrafted variances in the final finishing step.

Baldwin #	US #	BHMA #
030 =	3	605
031 =	3NL	—
040 =	4	606
050 =	5	609
060 =	6	608
102 =	10B	613
150 =	15	619
190 =	19	622
260 =	26	625
264 =	26D	626
324 =	32D	630

BALDWINHARDWARE.COM

BALDWIN

19701 DA VINCI . LAKE FOREST . CALIFORNIA . 92610 . 800-437-7448 . BALDWINHARDWARE.COM